

**INSTRUCTIONS FOR INSTALLING A FRONT ROLLER AND BRACKET ASSEMBLY IN A NATIONAL VENDORS CROWN SEVENTY TWO® , SERIES AND GOLDEN FURNITURE LINE, ECM-72 ELECTRIC CANDY/SNACK MERCHANDISER OR EPM-72 ELECTRIC PASTRY MERCHANDISER**

The Front Roller And Bracket Assembly when installed on a National Vendors, Crown Seventy Two, Series or Golden Furniture Line, ECM-72 or EPM-72 Merchandiser, not originally equipped with a Front Roller And Bracket Assembly, will assure continuing proper Delivery Mechanism alignment and will make Delivery Mechanism exposure easier.

Before beginning the work of installing the Kit, carefully and thoroughly read these instructions. The procedure for installing the Kit is the same for both the ECM-72 and EPM-72 Merchandisers.

Front Roller And Bracket Assembly Kit, part number 130-6162 consists of the following parts:

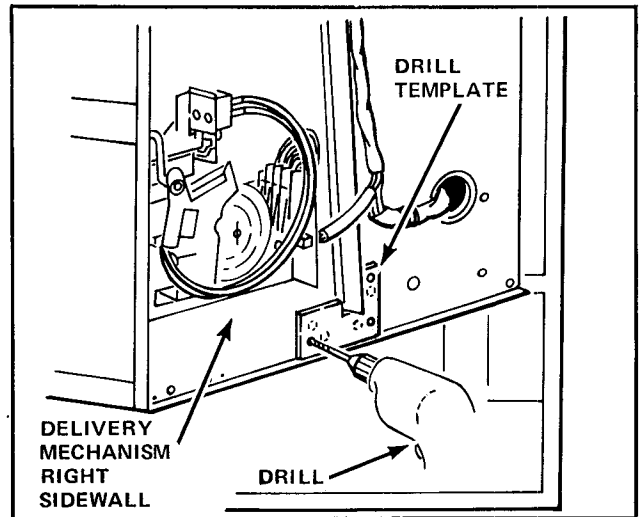
Part Number	Descriptions	Quantity
130-6161	Drill Template	1
130-6160	Roller And Bracket Assembly	1
9900-187	# 8-32 x 3/8" RHS	
	Self-tapping Screws	3
130-6163	Installation Instructions	1
	* * *	

The equipment needed to install the Kit includes:

- Center Punch
- Drill
- .171" (11/64") Drill Bit
- Screwdriver

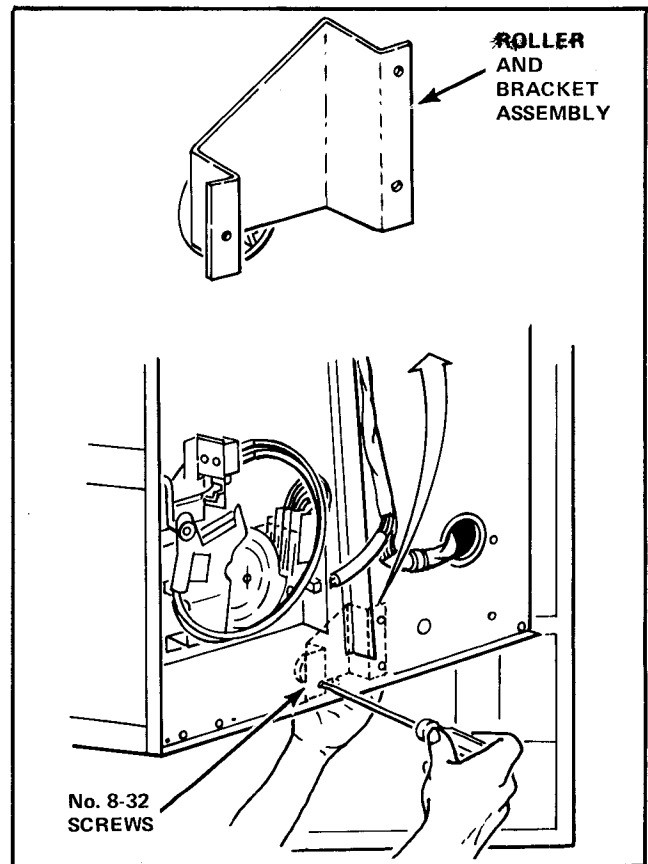
**TO INSTALL THE KIT:**

1. Open the Cabinet Door.
2. Rotate the Delivery Mechanism out of the Merchandiser.
3. Place the Drill Template included in the Kit, on the lower flange of the Delivery Mechanism Right Sidewall. The dimples in the Template are to be toward the Sidewall and are to hold the Template slightly away from the Sidewall. The bottom of the triangularly shaped Sidewall brace is to fit into the slot in the Template. See Figure 1.
4. Drill three .171" (11/64") diameter holes in the Sidewall. Use a center punch to mark the Template hole centers on the Sidewall or use the Template to guide the drill bit.
5. After the holes centers are marked or the holes are drilled, removed the Template from the Sidewall.



**FIGURE 1**

6. From the underside of the Delivery Mechanism install the Roller And Bracket Assembly, part number 130-6160, on the inside of the Right Sidewall. The Roller on the Roller And Bracket Assembly is to be down and the 3 holes in the Roller And Bracket Assembly are to be aligned with 3 holes drilled in step 4. See Figure 2.



**FIGURE 2**

7. Attach the Roller And Bracket Assembly to the Sidewall with three No. 8-32 x 3/8" RHS Self-tapping Screws, part number 9900-187, included in the Kit. The heads of the Screws are to be on the exposed side of the Sidewall and the Screws threaded into the Roller And Bracket

Assembly. Tighten the Screws securely.

8. Move the Delivery Mechanism to the in-cabinet position.
9. Close the Cabinet Door.